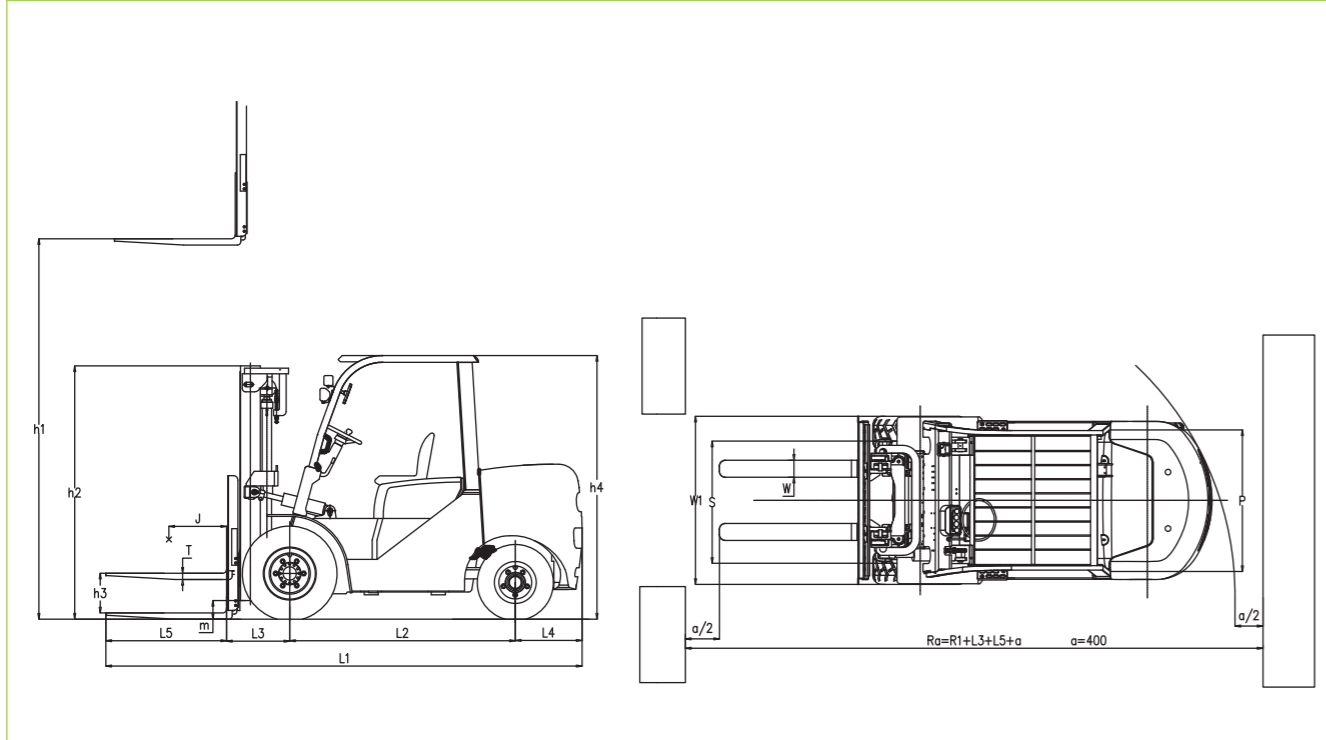
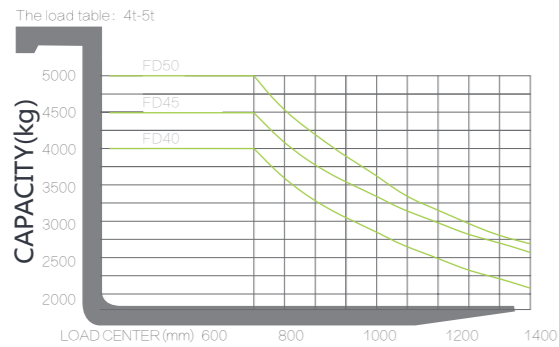


ZOOMLION

Machine 2D graph



CAPACITY CHART



Specification of Optional Engine

Model	Rated Power/Speed (kW/r.p.m)	Rated torque (N · m/r.p.m)	Displacement (L)
WEICHAI WP4.1	62.5/2300	340/1400-1600	4.09



FD40/45/50 DIESEL FORKLIFT



Pergudangan Lautan Jaya Kumala, Jl. Inspeksi Kalimantan KM. 22 Blok A Gudang A-01, Cibuntu, Bekasi-17520

Telp : (021) 89535873
 Mobile : 0817-0555-969
 Email : thubastunggalperkasa@gmail.com
 Website : www.thubastunggalperkasa.co.id

ZOOMLION



DIESEL FORKLIFT FD40/45/50

FEATURES		FD40(Mechanics)	FD40 (Hydraulic)	FD45(Mechanics)	FD45 (Hydraulic)	FD50 (Mini)
Power	–	Diesel	Diesel	Diesel	Diesel	Diesel
Rated Capacity	kg	4000	4000	4500	4500	5000
Center of load	J(mm)	500	500	500	500	500
Lifting height	h1 (mm)	3000	3000	3000	3000	3000
Free lifting height	h3(mm)	146	146	146	146	146
Forks L×W×H	L5xWxT(mm)	1070×150×50	1070×150×50	1070×150×50	1070×150×50	1070×150×50
Tilt Forward/Backward	°	6/12	6/12	6/12	6/12	6/12
Min.turning radius	R1 (mm)	2780	2780	2780	2780	2820
Min.ground clearance(Mast)	Ra(mm)	4815	4815	4815	4815	4855
ground clearance(Mast)	m(mm)	160	160	160	160	160
Overhead guard height	h4(mm)	2350	2350	2350	2350	2350
Front overhang	L3(mm)	565	565	565	565	565
Rear overhang	L4(mm)	540	540	540	540	584
PERFORMANCE						
Max.traveling speed(loaded)	km/h	18	18	18	18	18
Max.lifting speed (loaded/empty)	mm/s	380/410	410/450	380/400	410/430	380/410
Drawbar pull/Gradeability	kN/%	22/20	22/20	22/20	22/20	22/20
SIZE						
Overall length (with fork)	L1 (mm)	4175	4175	4175	4175	4219
Overall width	W1 (mm)	1490	1490	1490	1490	1490
Mast lowered height	h2(mm)	2355	2355	2355	2355	2355
Mast extended height	mm	4257	4257	4257	4257	4257
CHASSIS						
Tire Front	–	8.25-15-14PR	300-15-18PR	8.25-15-14PR	300-15-18PR	300-15-18PR
Tire Rear	–	7.00-12-12PR	7.00-12-12PR	7.00-12-12PR	7.00-12-12PR	7.00-12-12PR
Wheelbase	L2(mm)	2000	2000	2000	2000	2000
Tread width(Front/Rear)	S/P(mm)	1180/1190	1180/1190	1180/1190	1180/1190	1180/1190
Curb weight(Non-load)	kg	6090	6090	6320	6380	6660
ENGINE						
Battery(Voltage/Capacity)	V/Ah	(12/90) X2	(12/90) X2	(12/90) X2	(12/90) X2	(12/90) X2
Engine(Model)	–	mitsubishi S6S	mitsubishi S6S	mitsubishi S6S	mitsubishi S6S	mitsubishi S6S
Engine(Rated power)	kW/r.p.m	52/2300	52/2300	52/2300	52/2300	52/2300
Engine(Rated torque)	N.m/r.p.m	248/1700	248/1700	248/1700	248/1700	248/1700
Engine(Cylinder amount)	–	4	4	4	4	4
Engine(Bore × Stroke)	mm	94x120	94x120	94x120	94x120	94x120
Engine(Displacement)	L	4.966	4.966	4.966	4.966	4.966
Fuel tank	L	100	100	100	100	100
Transmission	–	2/2Manual Shift	2/1Manual Shift	2/2Manual Shift	2/1Manual Shift	2/1Manual Shift
Working pressure	MPa	18.5	18.5	18.5	18.5	18.5

STANDARD CONFIGURATION		OPTIONS		ATTACHMENT	
Wideview mast	2 piece multi valve	Adjustable steering wheel	<input type="checkbox"/> Luxury seat	<input type="checkbox"/> Rotary work alarming light	<input type="checkbox"/> Side shifter
Standard fork	Tornado air filter	Lifting & tilting handle	<input type="checkbox"/> High exhaust	<input type="checkbox"/> Exhaust smoke purification muffler	<input type="checkbox"/> Hinged fork
Backrest	Speed limit valve	Water temperature gauge	<input type="checkbox"/> Cab	<input type="checkbox"/> Two/three stage full-free mast	<input type="checkbox"/> Carpet boom
Overhead guard	Handle	Hydraulic oil level gauge	<input type="checkbox"/> Heater	<input type="checkbox"/> Fork cover	<input type="checkbox"/> Extended fork
Oil pressure indicator	Toolbox	Hydraulic oil return filter	<input type="checkbox"/> Solid tyre		<input type="checkbox"/> Fork cover
Rearview mirror	Rubber pad	Riv spring rod for hood	<input type="checkbox"/> Double filter		<input type="checkbox"/> Lifting boom
Timer	Traction pin	Durable pneumatic tire	<input type="checkbox"/> Windshield		<input type="checkbox"/> Paper roll clamp
Fuel Gauge	Electric Horn	Turning signal	<input type="checkbox"/> Fire extinguishing muffler		<input type="checkbox"/> Bale clamp
Air intake system	Standard seat	Engine flameout device	<input type="checkbox"/> Oil-bath double filter(on overheadguard)		<input type="checkbox"/> Rotator
Oil scale in torque	Parking brake	Hydraulic powered steering	<input type="checkbox"/> Double front tire and protector		

The company reserve the right for specification change; Should any revision on specification, a further notice shall prevail.

TECHNICAL FEATURES

Safe & Reliable

- Reinforced mast with wide view design improves efficiency and safety;
- Engine is with large torque and capacity, which is powerful and can meet different operation demands;
- Lifting system is equipped with up and down buffer cylinders, which reduce shock and vibration efficiently;
- Hydraulic system is equipped with the throttling valve, which makes operation safe and reliable;

Comfortable & practical

- Scientific ergonomic design makes operation more portable and comfortable. Seat and backrest are adjustable. Steering wheel tilt angle is also adjustable, which leaves more legroom. Shift operation is quick and simple;
- The forklifts are nice in appearance with streamline design. They work stably with high efficiency and good grade ability and can be operated in bad working conditions;
- Integral overhead guard, disposable stamping ceiling, equipped with five transparent plastic cover, with good lighting and rain protective features.

M WIDE VIEW STANDARD MAST / Z 2-STAGE FULL FREE MAST

Lifting Height	Capacity			Forks landing	Height with Backrest	Free lifting height			Mast Tilt angle F/R
	4T(kg)	4.5T(kg)	5T(kg)			4T(mm)	4.5T(mm)	5T(mm)	
mm				mm	mm				°
3000	4000	4500	5000	2355*2395	4257*4266	146*1178	146*1178	146*1178	6/12
3500	4000	4500	5000	2605*2645	4757*4766	146*1428	146*1428	146*1428	6/12
4000	3650	4150	4650	2905*2945	5257*5266	146*1728	146*1728	146*1728	6/12
4500	3550	4050	4550	3155*3195	5757*5766	146*1978	146*1978	146*1978	6/12
5000	3400	3900	4400	3405*3445	6257*6266	146*2228	146*2228	146*2228	6/6
5500	3250	3750	4250	3705*3745	6757*6766	146*2528	146*2528	146*2528	3/6
6000	3000	3500	4000	3955*3995	7257*7266	146*2778	146*2778	146*2778	3/6

Remark: * means double tires ; free lifting height without backrest: 2-stage full free mast : standard mast 4T-5T + 376mm ; free lifting height without backrest : standard mast 4T-5T - 420mm , 2-stage full free mast 4T-5T - 376mm

S 3-STAGE FULL FREE MAST

Lifting Height	Capacity			Forks landing	Height with Backrest	Free lifting height			Mast Tilt angle F/R
	4T(kg)	4.5T(kg)	5T(kg)			4T(mm)	4.5T(mm)	5T(mm)	
mm				mm	mm				°
4000	4000	4500	5000	2230	5257	1013	1013	1013	6/6
4500	3650*4000	4150*4500	4650*5000	2395	5757	1178	1178	1178	6/6
5000	3200*3500	3700*4000	4200*4500	2560	6257	1343	1343	1343	6/6
5500	2700*3400	3200*3900	3700*4400	2725	6757	1513	1513	1513	3/6
6000	2400*3000	2400*3500	3400*4000	2995	7257	1778	1778	1778	3/6

Remark: * means double tires ; free lifting height without backrest: 4T-5T(小) + 377mm ; free lifting height without backrest: 4T-5T(小) - 377mm