

HELI

Doc+or FORKLIFT

OPDS15 VNA battery truck (man-up)

Characteristics

1. The truck adopts three point support structure which features low center of gravity, good steering stability and small turning radius.
2. Two sets of independent energy-saving and consumption reducing energy regeneration systems are adopted.
3. The high-strength mast has stable and large bearing capacity at high position.
4. Full AC drive control technology features higher power and efficiency.
5. The smart management system and CAN-bus system can meet all kinds of requirements and make the truck safe and reliable.
6. Multi axis control technology improves work efficiency.
7. With self balancing control technology, the truck has good stability.
8. Interlock control is adopted for height and speed during driving to ensure dynamic stability of the truck.
9. The multi-level safety alarm system includes laser anti-collision sensor, emergency braking, audible and visual alarm to ensure personal and truck safety.
10. The ergonomic control handle is easy to operate, and the multi-functional LCD instrument displays truck conditions.
11. Tilt angle and height adjustable dash board are adopted. And operator's ideal sitting posture can be meted through the front and back adjustment seat.
12. Imported drive wheel, solenoid control valve, controller, contactor, steering potentiometer are adopted.
13. Slow, medium or fast mode can be selected according to different working conditions.
14. The on-board diagnosis system ensures the timeliness of maintenance and repair.



THUBAS TUNGGAL PERKASA

Make It Better | Your Solutions | Customer is Our Goal

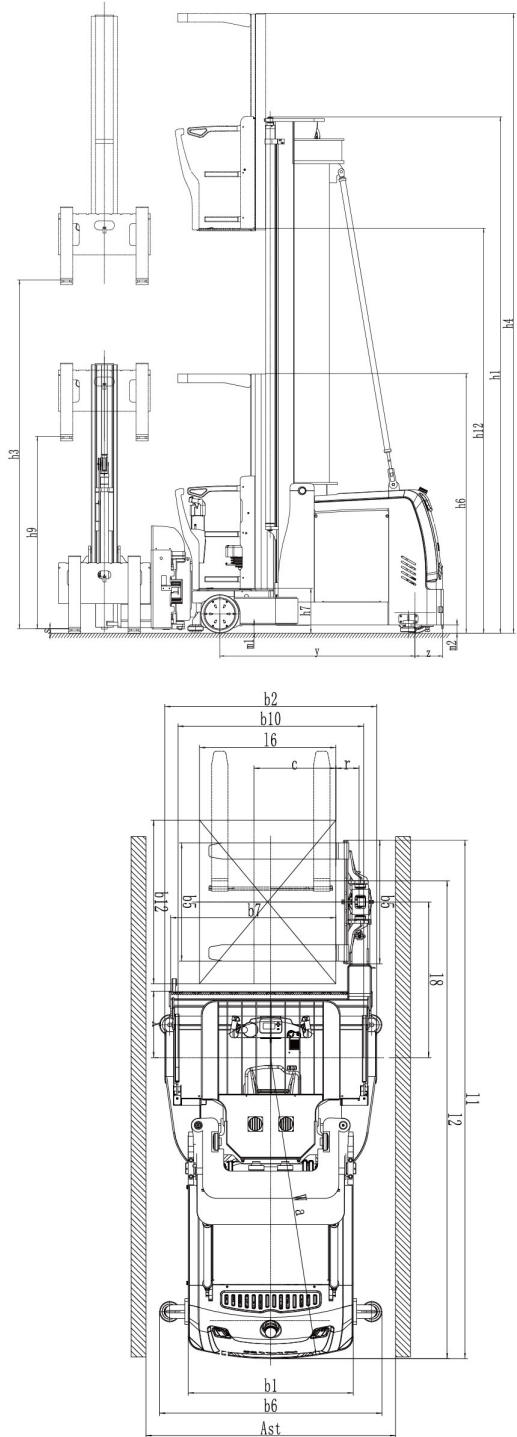
Bengudangan Lautan Jaya Kumala, Jl. Inspeksi Kalimantan KM. 22 Blok A
Gudang A-01, Cibuntu, Bekasi-17520

Telp : (021) 89535873
Mobile : 0817-0555-969
Email : thubastunggalperkasa@gmail.com
Website : www.thubastunggalperkasa.co.id

Product characteristics table

Characteristics		OPDS15/10.5m	OPDS15/9.2m
1.1	Model		
1.2	Operator type	Seated	Seated
1.3	Rated capacity	Q(kg)	1500
1.4	Lift height(Max.)	H3(mm)	8280
1.5	Load capacity at the highest	Kg	800
1.6	Service weight with battery	Kg	8805
1.7	Load center	c(mm)	600
1.8	Front overhang	x(mm)	500 ± 10
1.9	Wheel base	y(mm)	1928 ± 20
1.10	Rear overhang	z(mm)	280
Wheels			
2.1	Wheels type	PU	PU
2.2	Wheels size(Front)	mm	380X192
2.3	Wheels size(Rear)	mm	400X160
2.4	Wheel quantity (Front/Rear)		2/1X
2.5	Front wheel base	b10(mm)	1362 ± 20
Dimension			
3.1	Mast lowered height	H1(mm)	5498 ± 20
3.2	Mast extend height	H4(mm)	10450 ± 20
3.3	Free lift height	H9(mm)	1740
3.4	Overhead guard height	H6(mm)	2064 ± 20
3.5	Seat height	H7(mm)	440 ± 10
3.6	Overall length	L1(mm)	3805 ± 20
3.7	Vehicle length to face of forks	L2(mm)	3510 ± 20
3.8	Overall width	b1/b2(mm)	1210/1555
3.9	Fork size(Thickness/width/length)	s/e/l(mm)	40X120X950
3.10	Fork carriage ISO2328,class/type		2/B
3.11	Fork carriage width	b3(mm)	908
3.12	Width across forks	b5(mm)	870
3.13	Width across guide rollers	b6(mm)	1630
3.14	Lateral extension distance	b7(mm)	1320 ± 20
3.15	Ground clearance at the mast	m1(mm)	80
3.16	Ground clearance,center of wheelbase(laden)	m2(mm)	80
3.17	Min.aisle width for pallets 1200 × 1200mm,clearance 200mm	Ast(mm)	1650
3.18	Min.aisle width for pallets 1000 × 1200mm,clearance 200mm	Ast(mm)	1650
3.19	Min.aisle width for pallets 1000 × 1000mm,clearance 200mm	Ast(mm)	
3.20	Min.aisle width for pallets 800 × 1200mm,clearance 200mm	Ast(mm)	
3.21	Turning radius	Wa(mm)	2280 ± 20
Performance			
4.1	Travel speed,laden/unladen	Km/h	8.5/8.5
4.2	Lift speed, laden/unladen	mm/S	180/200
4.3	lowering speed, laden/unladen	mm/S	260/240
4.4	Lateral extension speed,laden/unlade	mm/S	190/200
4.5	Service brake	Regenerative brake / Hydraulic brake	Regenerative brake / Hydraulic brake
4.6	Parking brake	Electromagnetic brake	Electromagnetic brake
4.7	Axle load(without load),front/rear	Kg	8090/2215
4.8	Axle load(with load),front/rear	Kg	5280/3495
Motor and battery			
5.1	Drive motor power,60min	Kw	
5.2	Lifting motor power,15min	Kw	
5.3	Battery voltage/capacity,K5	V/Ah	80/560
5.4	Battery weight	Kg	1480(1450-1510)
Others			
6.1	Type of drive control		AC
6.2	Sound pressure level at driver' s ear	Db(A)	68
6.3	Steering type		Electronic steering

OPDS15 Dimensions



Design&Print:Fokeli Printing 20200806