



iMOW
by EP EQUIPMENT

EFX302H/352H/382H

3.0/3.5/3.8 ton Li-ion **LI-ION**
TECHNOLOGY
Counterbalance Forklift Truck

- Suitable for heavy duties
- Lateral battery replacement



THUBAS TUNGGAL PERKASA
Make it Better | Your Solutions | Customer is Our Goal



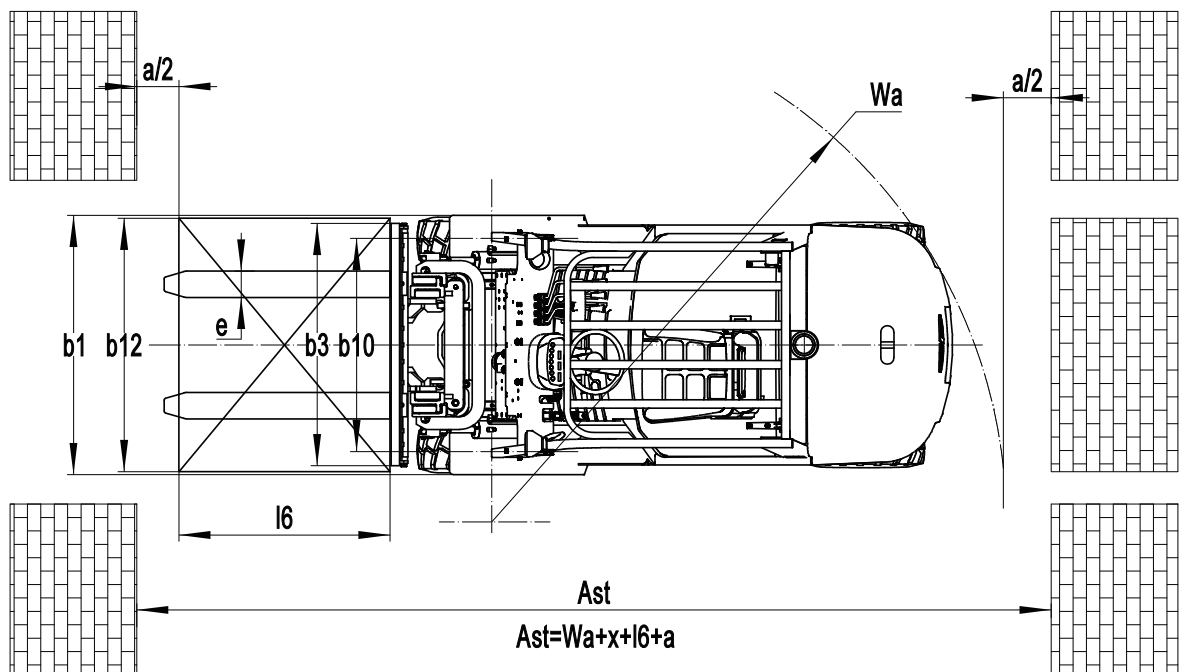
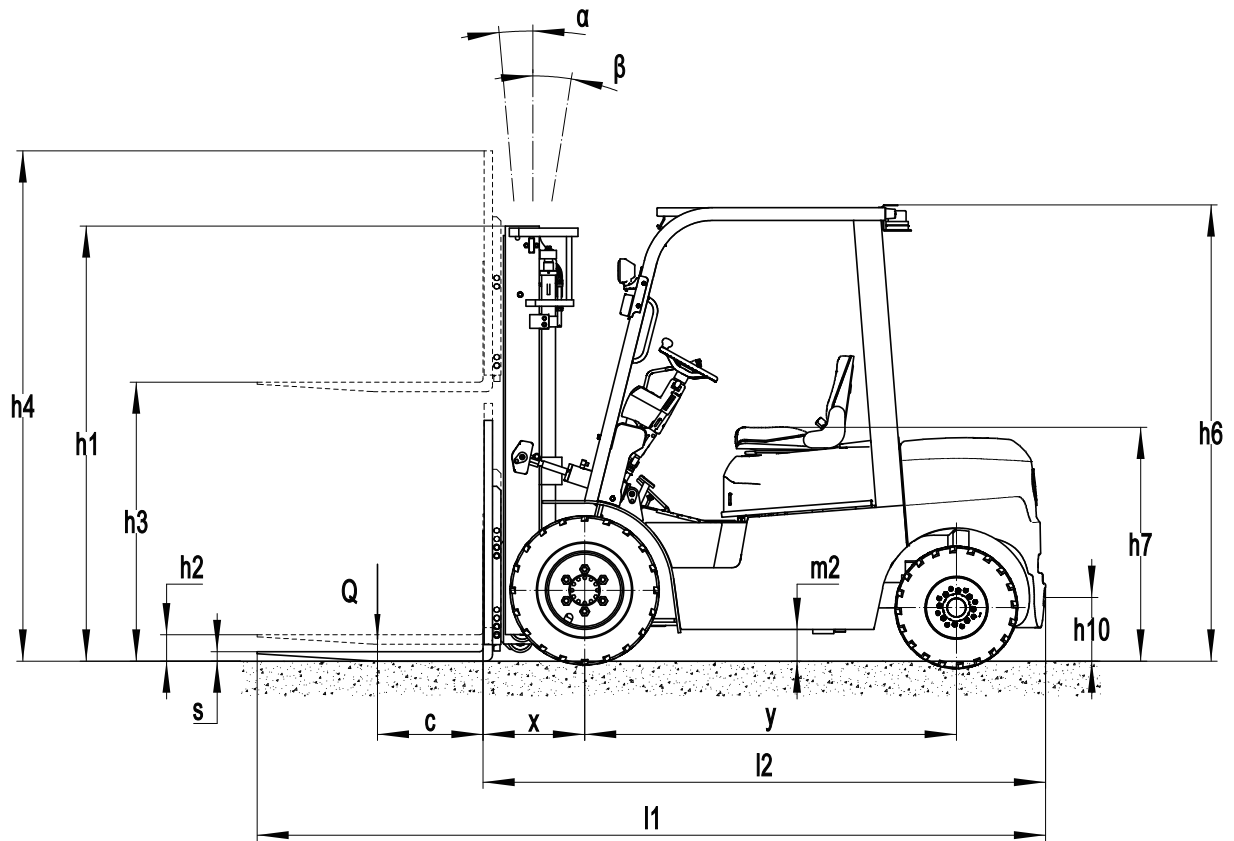
www.thubastunggalperkasa.co.id

Electric Counterbalance Forklift Truck 3.0/3.5/3.8T

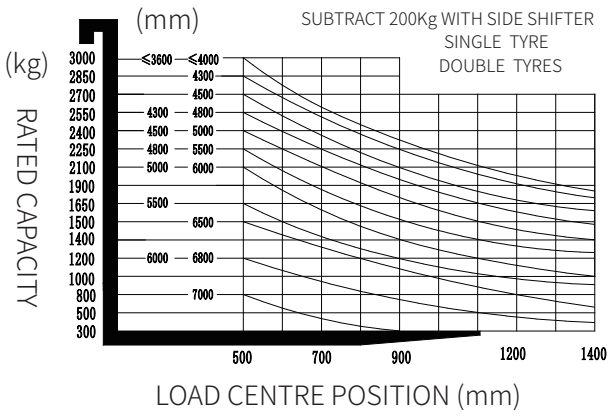
EFX302H/352H/382H

	Distinguishing mark			EP	EP	EP
	Service weight			EP	EP	EP
	Tyres/chassis			EP	EP	EP
	Dimensions			EP	EP	EP
	Performance data			EP	EP	EP
	Electric-engine			EP	EP	EP
	Addition data			EP	EP	EP
	1.1	Manufacturer			EP	EP
1.2	Model designation			EFX302H	EFX352H	EFX382H
1.3	Drive unit			Electric	Electric	Electric
1.4	Operator type			Seated	Seated	Seated
1.5	rated capacity	Q	kg	3000	3500	3800
1.6	Load center distance	c	mm	500	500	500
1.8	Load distance, centre of drive axle to fork	x	mm	481	486	486
1.9	Wheelbase	y	mm	1750	1750	1750
2.1	Service weight		kg	4620	4745	5210
2.2	Axle loading, laden front/rear		kg	6520/1100	7285/960	7890/1120
2.3	Axle loading, unladen front/rear		kg	1830/2790	1810/2935	1940/3270
3.1	Tyre type			Pneumatic	Pneumatic	Solid rubber
3.2	Tyre size, front		mm	28X9-15-14PR	28X9-15-14PR	250-15
3.3	Tyre size, rear		mm	6.50-10-10PR	6.50-10-10PR	6.50-10
3.5	Wheels, number front/rear (x=drive wheels)		mm	2x/ 2	2x/ 2	2x/ 2
3.6	Tread, front	b10	mm	1902/10/6	1010	1010
3.7	Tread, rear	b11	mm	980	980	980
4.1	Tilt of mast/fork carriage forward/backward	α/β	°	6/ 10	6/ 10	6/ 10
4.2	Height, mast lowered	h1	mm	2070	2070	2160
4.3	Free lift	h2	mm	120	120	120
4.4	Lift height	h3	mm	3000	3000	3000
4.5	Height, mast extended	h4	mm	4110	4110	4110
4.70	Height of overhead/ guard cabin	h6	mm	2160	2190	2190
4.8	Seat height/standing height	h7	mm	1130	1130	1130
4.12	Tow coupling height	h10	mm	320	320	320
4.19	Overall length	l1	mm	3796	3835	3870
4.2	Length to face of forks	l2	mm	2726	2765	2800
4.21	Overall width	b1/b2	mm	1230	1230	1250
4.22	Fork dimensions	s/e/l	mm	45×122×1070	50×122×1070	50×122×1070
4.23	A,B Fork carriage class/type A, B			3A	3A	3A
4.24	Fork carriage width	b3	mm	1150	1150	1150
4.31	Ground clearance, laden, below mast	m1	mm	120	120	120
4.32	Ground clearance, center of wheelbase	m2	mm	150	150	150
4.34.1	Aisle width for pallets 1000×1200 crossways	Ast	mm	4170	4216	4256
4.34.2	Aisle width for pallets 800×1200 crossways	Ast	mm	4370	4416	4456
4.35	turning radius	Wa	mm	2484	2530	2570
5.1	Travel speed, laden/unladen		km/ h	11/12	11/12	15/16
5.2	Lifting speed, laden/unladen		m/s	0.26/0.36	0.26/0.34	0.38/0.41
5.3	Lowering speed, laden/unladen		m/s	0.4/0.43	0.4/0.43	0.44/ 0.41
5.5	Drawbar pull, laden/unladen		N	—	—	—
5.6	Max. drawbar pull, laden/unladen		N	—	—	—
5.8	Max. gradeability, laden/unladen		%	18/24	17/23	16/20
5.1	Service brake			Hydraulic	Hydraulic	Hydraulic
5.11	Parking brake			Mechanical	Mechanical	Mechanical
6.1	Drive motor rating S2 60 min		kW	10	10	17
6.2	Lift motor rating at S3 15%		kW	16	16	26
6.4	Battery voltage/nominal capacity		V/Ah	80V280AH	80V280AH	80V280AH
6.5	Battery weight		kg	—	—	—
8.1	Type of drive unit			AC	AC	AC
10.5	Steering design			Hydraulic	Hydraulic	Hydraulic
10.7	ound pressure level at the driver's ear		dB(A)	< 74	< 74	< 74

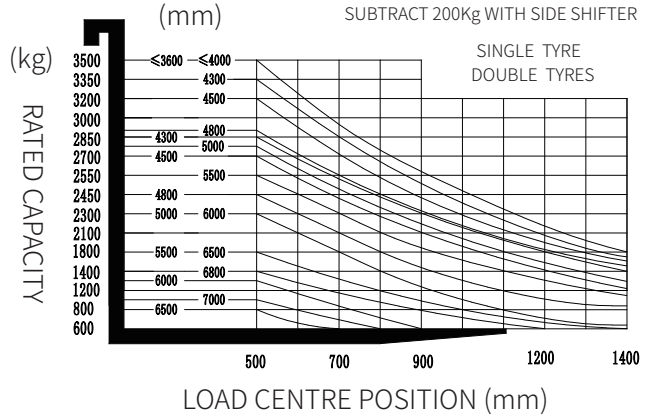
If there are improvements of technical parameters or configurations, no further notice will be given. The diagram shown may contain non-standard configurations.



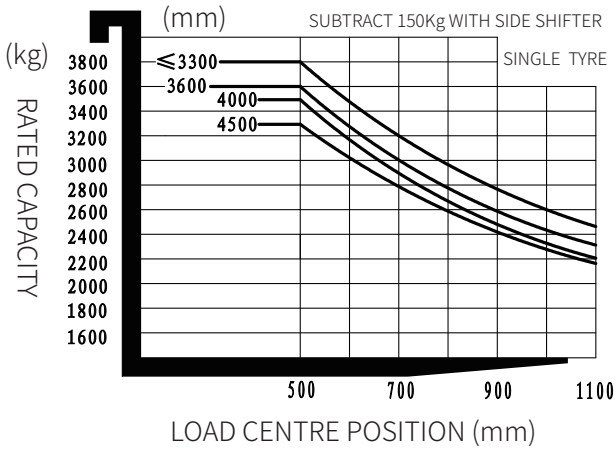
RATED CAPACITIES AND LOAD CENTERS GRAPH



RATED CAPACITIES AND LOAD CENTERS GRAPH



RATED CAPACITIES AND LOAD CENTERS GRAPH



Mast Option

EFX302H/352H

Mast types	Lift height (h3)	Height, Mast			Height, Free lift(h2)	
		Height, mast lowered(h1)	Height, mast extended(h4)		No shelving	With shelving
			No shelving	With shelving		
	mm	mm	mm	mm	mm	mm
2-Standard Mast	2700	1910	3330	3795	120	120
	3000	2060	3630	4095	120	120
	3300	2210	3930	4395	120	120
	3500	2310	4130	4595	120	120
	3600	2360	4230	4695	120	120
	4000	2610	4630	5095	120	120
	4300	2760	4930	5395	120	120
2-Free Mast	3000	2040	3630	4095	1410	945
	3300	2190	3930	4395	1560	1095
	3600	2340	4230	4695	1710	1245
3-Free Mast	4300	2040	4930	5395	1410	945
	4500	2120	5130	5595	1490	1025
	4800	2225	5430	5895	1595	1130
	5000	2310	5630	6095	1680	1215
	5500	2560	6130	6595	1930	1465
	6000	2810	6630	7095	2180	1715

EFX382H

Mast types	Lift height (h3)	Height, Mast			Height, Free lift(h2)	
		Height, mast lowered(h1)	Height, mast extended(h4)		No shelving	With shelving
	No shelving		With shelving	mm		
2-Standard Mast	3000	2160	3630	4095	120	120
	3300	2310	3930	4395	120	120
	3500	2410	4130	4595	120	120
	3600	2460	4230	4695	120	120
	3700	2510	4330	4795	120	120
	4000	2710	4630	5095	120	120
	4300	2860	4930	5395	120	120
	4500	2960	5130	5595	120	120

Option

No.	Optional items	EFX302H	EFX352H	EFX382H
1.1	Fork dimension	<ul style="list-style-type: none"> ●122*45*1070○122*45*1150 ○122*45*1220○122*45*1370 ○122*45*1520○122*45*1600 ○122*45*1700○122*45*1820 ○122*45*2000○122*45*2200 ○122*45*2400 	<ul style="list-style-type: none"> ○122*50*1070○122*50*1150 ○122*50*1220○122*50*1370 ○122*50*1520○122*50*1600 ○122*50*1700○122*50*1820 ○122*50*2000○122*50*2200 ○122*50*2420 	<ul style="list-style-type: none"> ○122*50*1070○122*50*1150 ○122*50*1220○122*50*1370 ○122*50*1520○122*50*1600 ○122*50*1700○122*50*1820 ○122*50*2000○122*50*2200 ○122*50*2420
1.4	Fork carriage width	<ul style="list-style-type: none"> ●1100mm ○Yes and can be customized 	<ul style="list-style-type: none"> ●1100mm ○Yes and can be customized 	<ul style="list-style-type: none"> ●1100mm ○Yes and can be customized
1.5	Fork carriage height	<ul style="list-style-type: none"> ●1095mm ○Yes and can be customized 	<ul style="list-style-type: none"> ●1095mm ○Yes and can be customized 	<ul style="list-style-type: none"> ●1095mm ○Yes and can be customized
2.5	Front wheel material	●Pneumatic○solid○Non-marking	●Pneumatic○solid○Non-marking	●solid○Non-marking
2.6	Rear wheel material	●Pneumatic○solid○Non-marking	●Pneumatic○solid○Non-marking	●solid○Non-marking
2.7	Battery capacity	●80V280AH	●80V280AH	●80V280AH
2.8	Charger	<ul style="list-style-type: none"> ○80V65A○80V130A ○80V35A integrated ●80V60A integrated 	<ul style="list-style-type: none"> ○80V65A○80V130A ○80V35A integrated ●80V60A integrated 	<ul style="list-style-type: none"> ○80V65A○80V130A ○80V35A integrated ●80V60A integrated
2.9	Battery indicator	●With time	●With time	●With time
2.10	Seat type	<ul style="list-style-type: none"> ○Regular○Premium○Suspension ○Suspension + seatbelt logic switch 	<ul style="list-style-type: none"> ○Regular○Premium○Suspension ○Suspension + seatbelt logic switch 	<ul style="list-style-type: none"> ○Regular○Premium○Suspension ○Suspension + seatbelt logic switch
2.11	Attachments	<ul style="list-style-type: none"> ●No○Built-in sideshifter ○External shifter○Fork positioner 	<ul style="list-style-type: none"> ●No○Built-in sideshifter ○External shifter○Fork positioner 	<ul style="list-style-type: none"> ●No○Built-in sideshifter ○External shifter○Fork positioner
2.13	Traction pin	●Yes	●Yes	●Yes
3.5	Front lamp	●LED	●LED	●LED
3.6	Rear lamp	●No○LED	●No○LED	●No○LED
3.7	Warning lamp	●Yes	●Yes	●Yes
3.8	Steering lamp	●Yes	●Yes	●Yes
3.9	Blue lamp	●No○2 front○1 rear○2 front + 1 rear	●No○2 front○1 rear○2 front + 1 rear	●No○2 front○1 rear○2 front + 1 rear
3.10	Area warning lamp	●No○1 left + 1 right	●No○1 left + 1 right	●No○1 left + 1 right
3.11	Rearview mirror	<ul style="list-style-type: none"> ●1 rearview mirror ○Add rearview mirror on both sides 	<ul style="list-style-type: none"> ●1 rearview mirror ○Add rearview mirror on both sides 	<ul style="list-style-type: none"> ●1 rearview mirror ○Add rearview mirror on both sides
3.12	Buzzer	●Yes	●Yes	●Yes
3.17	OPS system	●No○Yes and not customized	●No○Yes and not customized	●No○Yes and not customized
3.23	Telematics	●Yes and not customized	●Yes and not customized	●Yes and not customized
4.1	Battery side pull function	●Yes	●Yes	●Yes
5.1	Battery side pull attachment	●No○Yes and not customized	●No○Yes and not customized	●No○Yes and not customized

Note: ●Standard ○ Optional - Inconformity