



CQE15S

1500kg

Electric Scissor Lift Reach Truck



- Scissor forks allowing for picking and stacking in deep racking system
- Great maneuverability in narrow spaces thanks to turtle speed
- Standard proportional lifting system ensuring precise lifting
- Powerful AC vertical traction motor
- Li-ion battery option for user need



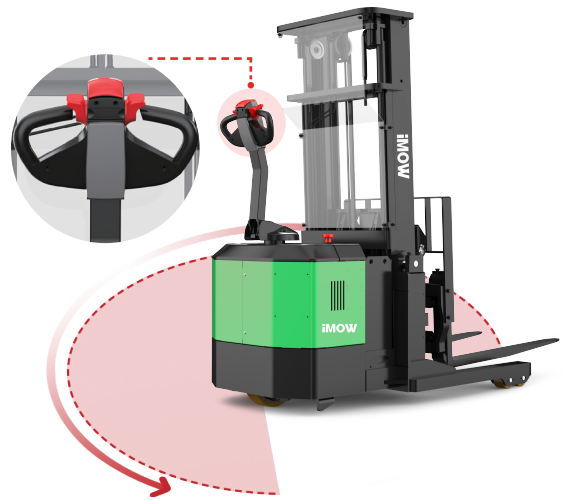
Manufacturer			EP	EP
Model designation			CQE15S (no pedal)	CQE15S (with pedal)
Drive			Electric	Electric
Load capacity	Q	kg	1360	1500
Load center distance	c	mm	600	600
Service weight		kg	1950	1950
Lift height	h3	mm	3200	3200
Height, mast extended	h4	mm	4134	4134
Length to face of forks	l2	mm	1181	1271
Overall width	b1/b2	mm	850/1060	850/1060
Fork dimensions	s/e/l	mm	40/100/1070	40/100/1070
Reach distance	l4	mm	590	590
Turning radius	Wa	mm	1590	1700
Max. gradeability, laden/unladen		%	6/10	6/10
Travel speed, laden/unladen		km/h	5.5/6	5.5/6
Lifting speed, laden/unladen		m/s	0.145/0.17	0.145/0.17
Lowering speed, laden/unladen		m/s	0.25/0.15	0.25/0.15
Battery voltage/nominal capacity		V/Ah	24/280	24/280

FEATURE



Perfect for deep racking system

The CQE15S features scissor forks which allows for retrieving and stacking pallets in deep racking system.



Turtle speed offering great maneuverability

The CQE15S comes with turtle speed as standard and operators can drive this lifter at ease even in narrow spaces thanks to its great maneuverability.



Proportional lifting ensuring utmost precision

With the help of the standard proportional lifting system, operators gain gentle and precise depositing of goods, especially those valuables and fragile items.



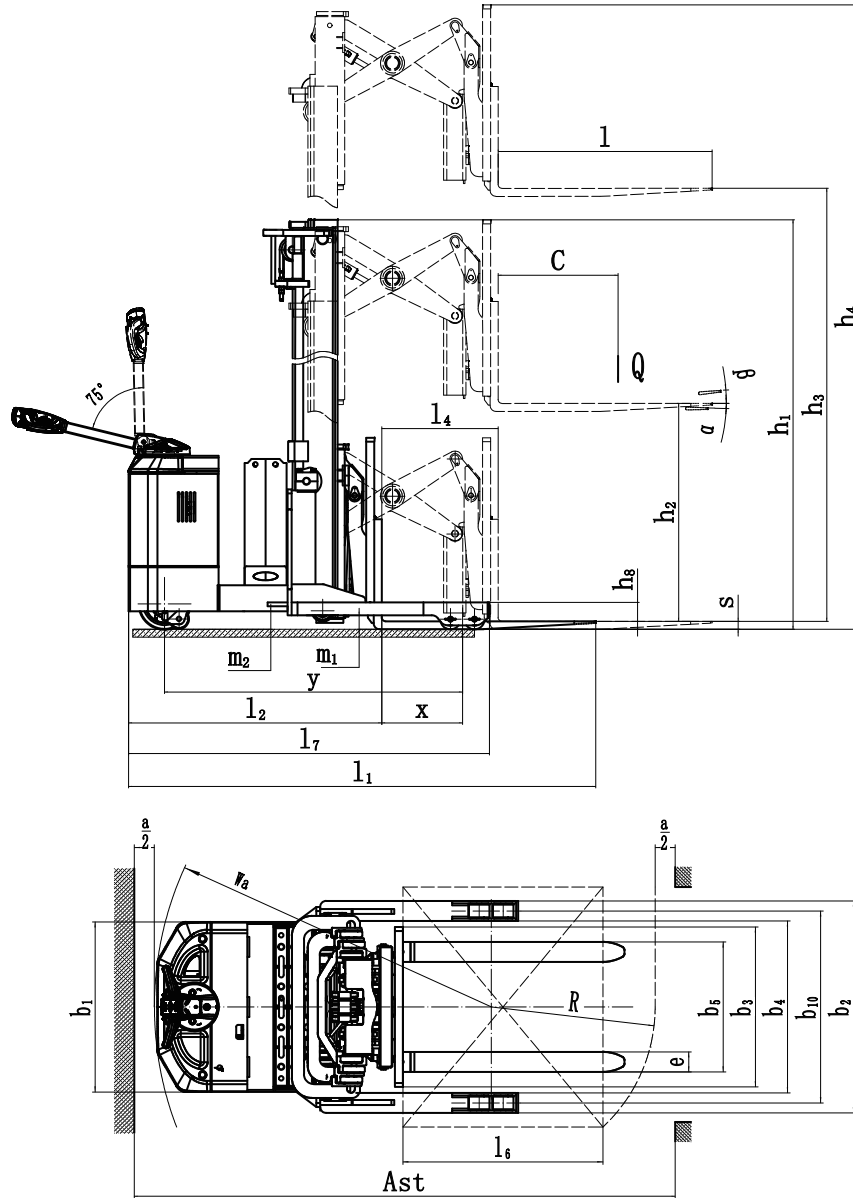
Lithium battery option for user's need

The CQE15S adopts 24V/280Ah lead acid battery as standard, and also offers 24V/205Ah Li-ion battery option which delivers charging convenience and zero maintenance for specific user's need.

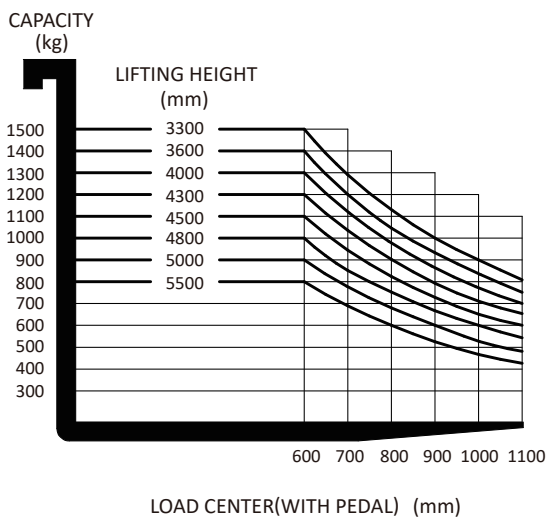
Electric Reach Truck 1.5t CQE15S

Distinguishing mark	1.1	Manufacturer			EP	EP	
	1.2	Model designation			CQE15S (no pedal)	CQE15S (with pedal)	
	1.3	Drive			Electric	Electric	
	1.4	Operator type			Pedestrian	Pedestrian	
	1.5	Load capacity		kg	1360	1500	
	1.6	Load center distance	c	mm	600	600	
	1.8	Load distance, centre of drive axle to fork	x	mm	409	409	
	1.9	Wheelbase	y	mm	1395	1395	
	Service weight	2.1	Service weight		kg	1950	1950
2.3.1		Axle loading, unladen front/rear		kg	1330/650	1330/650	
2.4.1		Axle loading, fork advanced, laden front/rear		kg	550/3140	550/3140	
2.5.1		Axle loading, fork retracted, laden front/rear		kg	1220/2380	1220/2380	
Tyres/chassis	3.1	Tyre type			Polyurethane	Polyurethane	
	3.2.1	Tyre size, front		mm	Φ260×105	Φ260×105	
	3.3.1	Tyre size, rear		mm	Φ102×73	Φ102×73	
	3.4	Additional wheels (castor wheels)		mm	—	—	
	3.5.1	Wheels, number front/rear (x=drive wheels)		mm	1×/4	1×/4	
	3.6.1	Tread width, front	b ₁₀	mm	—	—	
Dimensions	3.7.1	Tread width, rear	b ₁₁	mm	960	960	
	4.1	Tilt of mast/fork carriage forward/backward	α/β	°	3/3	3/3	
	4.2	Retracted mast height	h ₁	mm	2100	2100	
	4.3	Free lift	h ₂	mm	160	160	
	4.4	Lift height	h ₃	mm	3200	3200	
	4.5	Height, mast extended	h ₄	mm	4134	4134	
	4.7	Height of overhead guard (cabin)	h ₆	mm	—	—	
	4.8	Seat height/standing height	h ₇	mm	—	—	
	4.10	Height of wheel arms	h ₈	mm	135	135	
	4.19	Overall length	l ₁	mm	2251	2361	
	4.20	Length to face of forks	l ₂	mm	1181	1271	
	4.21	Overall width	b/b ₂	mm	850/1060	850/1060	
	4.22	Fork dimensions	s×e×l	mm	40/100/1070	40/100/1070	
	4.23	A,B Fork carriage class/type A, B			2A	2A	
	4.24	Fork carriage width	b ₃	mm	800	800	
	4.25	Distance between fork-arms	b ₅	mm	200/710	200/710	
	4.26	Distance between wheel arms/loading surfaces	b ₄	mm	860	860	
	4.28	Reach distance	l ₄	mm	590	590	
	Performance data	4.31	Ground clearance, laden, below mast	m ₁	mm	70	70
		4.32	Ground clearance, center of wheelbase	m ₂	mm	90	90
4.34.1		Aisle width for pallets 1000×1200 crossways	Ast	mm	2643	2753	
4.34.2		Aisle width for pallets 800×1200 lengthways	Ast	mm	2690	2800	
4.35		Turning radius	Wa	mm	1590	1700	
4.37		Length across wheel arms	l ₇	mm	1710	1820	
5.1		Travel speed, laden/unladen		km/h	5.5/6	5.5/6	
5.2		Lifting speed, laden/unladen		m/s	0.145/0.17	0.145/0.17	
5.3		Lowering speed, laden/unladen		m/s	0.25/0.15	0.25/0.15	
5.4		Reaching speed, laden /unladen		m/s	0.08/0.08	0.08/0.08	
5.8		Max. gradeability, laden/unladen		%	6/10	6/10	
Electric-engine	5.10	Service brake			Electromagnetic	Electromagnetic	
	5.11	Parking brake			Electromagnetic	Electromagnetic	
	6.1	Drive motor rating S2 60 min		kW	3.3	3.3	
	6.2	Lift motor rating at S3 15%		kW	4	4	
	6.4	Battery voltage/nominal capacity		V/Ah	24/280	24/280	
Drive/lift mechan ism	6.5	Battery weight		kg	230	230	
	8.1	Type of drive control			AC	AC	
Addition data	10.5	Steering design			Electronic	Electronic	
	10.7	Sound pressure level at the driver's ear		dB(A)	74	74	
	15.1	Charger output current		A	30	30	

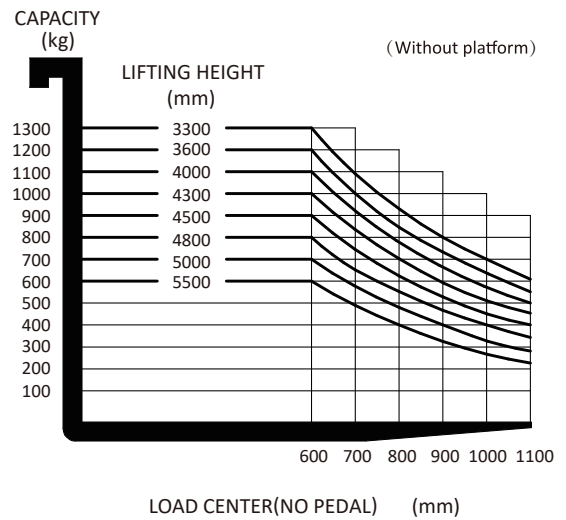
If there are improvements of technical parameters or configurations, no further notice will be given.
The diagram shown may contain non-standard configurations.



RATED CAPACITIES GRAPH



RATED CAPACITIES GRAPH



Mast Option

Mast types	Lift height (h3)	Height, Mast			Height, Free lift(h2)	
		Height, mast lowered(h1)	Height, mast extended(h4)		No backrest	With backrest
	No backrest		With backrest	mm		
2-Standard Mast	2700	1860	3655	3655	160	160
	3200	2100	4135	4135	160	160
3-Free Mast	4000	1960	4955	4955	1000	1000
	4500	2130	5455	5455	1170	1170
	4800	2230	5760	5760	1270	1270
	5000	2295	5960	5960	1335	1335
	5500	2460	6460	6460	1500	1500

Option

No.	Optional items	CQE15S
1.1	Fork dimension	<ul style="list-style-type: none"> ●900*600、2A、100*40*1070 ○900*600、2A、100*40*920 ○900*600、2A、100*40*1150 ○900*600、2A、100*40*1220 ○900*600、2A、100*40*1370
1.2	Leg width	●860○900○1070○1170○1220○1270
1.4	Fork carriage width	●780mm
1.5	backrest height	●934mm(710)○1139mm(915)○1444mm(1220)
2.1	Load wheel type	●Double○Single
2.2	Load wheel material	●Polyurethane
2.3	Drive wheel material	●Polyurethane
2.7	Battery capacity	●No○280Ah○360Ah○224Ah AGM○205Ah-Li
2.8	Charger	<ul style="list-style-type: none"> ●No○24V-30A external○24V-40A external○24V-50A external ○24V-25A integrated○24V-27.1A-Li integrated ○24V-50A-Li external○24V-100A-Li external
2.9	Battery indicator	●With time
2.11	Attachments	●No○Built-in sideshifter
2.16	handle head type	●Hands big handle head
3.3	Castor wheels	<ul style="list-style-type: none"> ●No (No pedal, with counterbalance block) ○Yes (With pedal and castor wheels) ○No (No pedal, with counterbalance block and rubber baffle)
3.4	Water auto-filling system	●No○Yes
3.23	Telematics	●No○Yes and not customized
4.1	Battery side pull function	●No○Yes and not customized
4.2	Cold storage	●No○Yes and not customized
4.5	Proportional lift system	●Yes
4.6	Forks tilt forward and backward	●Yes
5.1	Battery side pull attachment	●No○Side pull trolley

Note: ●Standard ○ Optional - Inconformity