



HANGCHA Lithium-ion

⚡ Re-imagining **POWER** ⚡

A Series Electric Stock Picker with Lithium-ion Technology

with capacities of 1,000lbs

Making Material Handling Easier
SINCE 1956



THUBAS TUNGGAL PERKASA
Make it Better | Your Solutions | Customer is Our Goal

Gang Wates Kp. Rawa Banteng No.83 Rt 003/01 Ds Mekarwangi
Kec. Cikarang Barat, Kabupaten Bekasi, Jawa Barat

T : 0877-8445-0249 E : thubastunggalperkasa@gmail.com W : thubastunggalperkasa.co.id



A Series Electric Stock Picker with Lithium-ion Technology

The A Series Electric Stock Picker with Lithium-ion Technology is designed to meet order fulfillment needs in narrow aisle environments. This stock picker has a comprehensive safety protection system, excellent ergonomics, and an advanced control system. Being reliable, comfortable, safe, and stable, all while providing excellent performance, it is the perfect choice for increasing productivity in small load order fulfilling environments such as retail and manufacturing applications.

Innovative Efficient Safe

Performance

- / The brushless AC traction motor features excellent acceleration, outstanding climbing ability, low heat emission, and is maintenance-free.
- / The advanced CURTIS control system provides precise, smooth, and efficient control of the stock picker.
- / CANBUS structure allows for the whole vehicle to communicate faster and more reliably.

Safety

- / The low mast provides the operator with perfect visibility.
- / The controller offers limits the stock picker's speed when cornering to ensure smooth and safe operation.
- / The safety pedals include a sensor to ensure the operator has their feet properly positioned on the platform. It automatically stops travel, lift, and lower functions if the operator doesn't have their foot on the pedal.
- / The hydraulic system has an emergency manual lowering valve that can be operated from the rear of the stock picker to lower the platform.



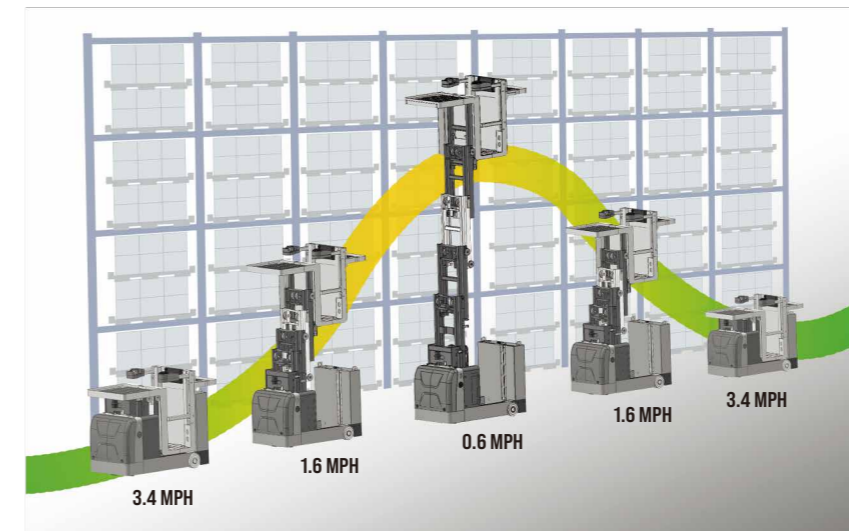
Comfort

- / The truck is designed for smooth lifting, lowering, and stability when stock picking to reduce operator fatigue.
- / Lifting & lowering of the mast are buffered to enable improve comfort.
- / CURTIS multi-function instrument display includes functions such as mode selection and wheel position. The instrument display also clearly shows various information about the order picker.



Standard Specification

- / AC Traction Motor
- / CURTIS Controller
- / Front Load Tray
- / Foldable Rear Load Tray
- / Automatically Decelerates when Cornering
- / CURTIS Multi-Function Instrument Display
- / Maintenance-Free Battery
- / Battery Locking Mechanism
- / Built-in Charger
- / Emergency Cut-Off Switch
- / Safety Pedal
- / Tilt Switch
- / Left and Right Guardrail
- / Back Cushion
- / Electromagnetic Brake



Simultaneous Travel and Lift

With productivity in mind, Hangcha designed the stock picker to travel and lift simultaneously. This allows operators to move around a facility while raising or lowering the stock picker to their desired height in one smooth, seamless operation. The truck reaches a maximum speed of 3.4 mph and adjusts speed based on lift height.

Reliability

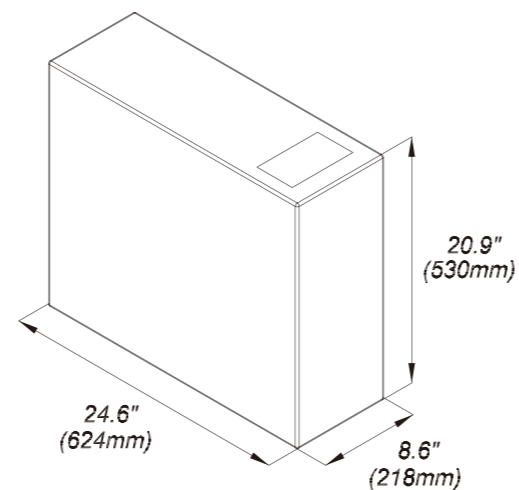
- / The vehicle's frame is robust and reliable thanks to its high-strength steel frame structure.
- / All of the stock picker's wires and cables are protected. This greatly improves the reliability of the electrical system.
- / Switches, connectors, instruments, and other key parts are all high-quality products with excellent performance and quality.

Maintenance

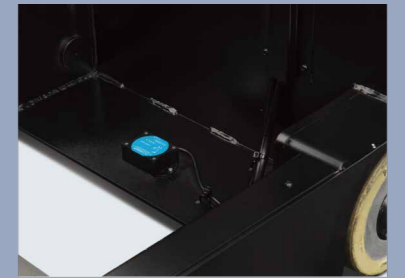
- / The brushless AC motor is maintenance-free. This saves the end-user time and money.
- / The integrated display shows remaining power, advanced diagnostics, and timing for convenience when operating and maintaining the stock picker.
- / The rear hood can be easily removed. This is convenient for maintenance of the hydraulic unit, electric control, motor, and other parts.

CATL Lithium Iron Phosphate Battery Packs

- / Integrated Battery Management System (BMS) continually monitors energy management and ensures reliable operation.
- / HANGCHA provides these Lithium Iron Phosphate (LiFePO₄) battery packs with up to a 5 year or 10,000 hour warranty.
- / See warranty certificate for specific warranty information on the Lithium Iron Phosphate battery packs.



Standard Battery Capacity	
Battery Capacity (V/Ah) (kW·h)	24V/125Ah 3.00kW·h
Charger	Built-in (24V/40Ah)



The tilt sensor prevents the vehicle from tipping over due to excessive slope and ensures operator safety.



The rear load tray can be folded to allow for working in a confined space.



Battery side roll out and built-in charger are standard features of the stock picker. This allows for easy battery replacement and convenient charging.



The large front and rear trays greatly improve the operator's efficiency.



The guardrails are equipped with detection switches. The stock picker will not work until the guardrails are put up.